

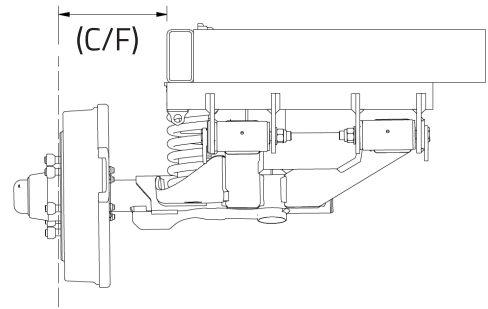
CHASSIS TO FACE & WHEEL OFFSETS

UNDERSTANDING CHASSIS TO FACE AND HOW THAT EFFECTS WHEEL OFFSETS

How to Measure Chassis to Face

Chassis to Face (C/F) is calculated by measuring (mm) from the outer drum/hub face to the outer face of the chassis rail.

An accurate C/F is vital in ensuring the wheel has the correct amount of clearance when in motion.



Chassis to Face Limitations

ATX - Standard stub axle length with a Min C/F of 200mm and Max C/F of 250mm

CRS2 - Available in 185mm or 200mm C/F

GT - Available in 175mm or 200mm C/F

XT - Available in set increments from 175mm - 260mm (see below for more details)

XT Chassis to Face Limitations - Wheel Offsets

XT has a maximum C/F of 200mm (Air Single 210mm) without the requirement for positive offset wheels. Positive offset wheels can be used to reduce effective chassis to face within the designated ranges below.

IMPORTANT: Red Zones denote unacceptable C/F and Weight combinations

XT COIL

	SINGLE AXLE BY ATM						
2,800							
2,600							
2,200							
1,600							
1,200							
	200	210	220	230	240	250	260

	TANDEM AXLE BY ATM						
4,450							
4,100							
3,700							
3,300							
2,900							
2,200							
	200	210	220	230	240	250	260

XT AIR

	SINGLE AXLE BY ATM						
2,600							
1,700							
1,400							
	200	210	220	230	240	250	260

	TANDEM AXLE BY ATM						
4,500							
3,400							
2,800							
	200	210	220	230	240	250	260

Negative Wheel Offsets

Negative wheel offset not permitted on any systems.

For additional information on suspension installation refer to the relevant installation guides online cruisemaster.com.au/downloads