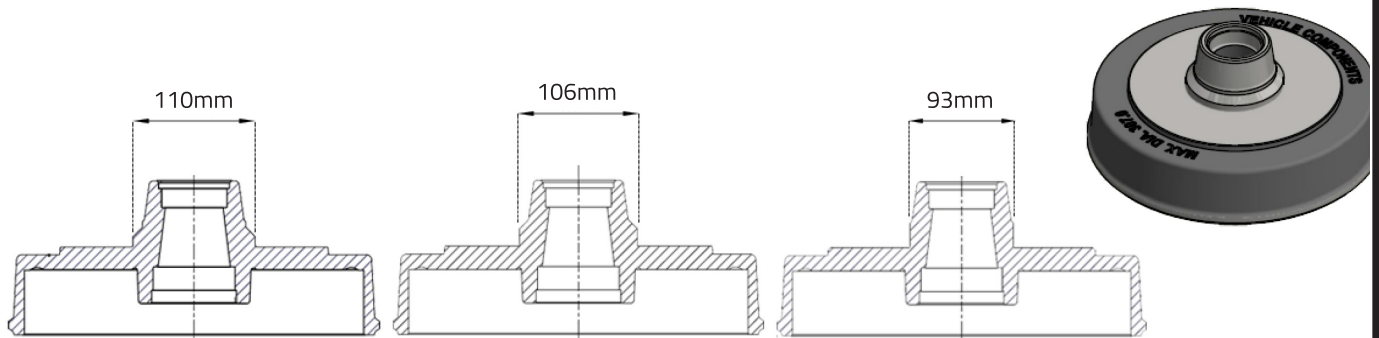


# DRUM/HUB SPIGOT SIZE

## UNDERSTANDING WHAT SPIGOT SIZE TO USE WITH YOUR WHEELS

### What is the Spigot?

The spigot is the centre section of the drum/hub that houses the stub axle and bearings. It is important to have the correct spigot and wheel combination to ensure the wheel is seated correctly.



The spigot size is measured at the base where it meets the drum/hub face.

### 10" Drums (Used with 10" Electric Drum Brakes)

65mm - Generic Size suitable for most stud centric wheels (Semi-Offroad).

78mm - Generic Size suitable for most stud centric wheels (Offroad).

### 12" Drums (Used with 12" Electric Drum Brakes)

93mm - Generic Size suitable for most stud centric wheels.

106mm - Traditionally suits Toyota Prado wheels.

110mm - Traditionally suits Landcruisers (200, 100, 70 series).

### 12" Hubs (Used with 12" Hydraulic Disc Brakes)

102 - Generic Size suitable for most stud centric wheels.

110mm - Traditionally suits Landcruisers (200, 100, 70 series).